

Weighing Indicator DISOMAT Parvus



- Simple weighing indicator for displaying weights
- Panel mounted unit with high protection class IP65
- Stainless steel face frame
- Backlit LCD display
- Cleartext operator guidance
- Configurable using DISOPLAN service tool (PC based)
- Threshold value contacts
- Analog output

Application

The DISOMAT Parvus is an evaluation device for simple, non legal-for-trade scales. It offers the operator a clear weight display layout and a keypad for basic scale functions.

Typical applications for the device are:

- Bin weigher
- Platform scale
- Other applications of similar complexity

Construction

The DISOMAT Parvus VEG 21100 is designed as a panel unit for flush mounting in control panels, control cabinet doors or in the front of control housings. The mounting frame is stainless steel, the rear seal conforms to protection class IP65.

The device is operated by means of a membrane keypad with 9 clearly laid out keys.

Spring terminals are used for the electrical connections – power is supplied via a pluggable block (protection against contact).

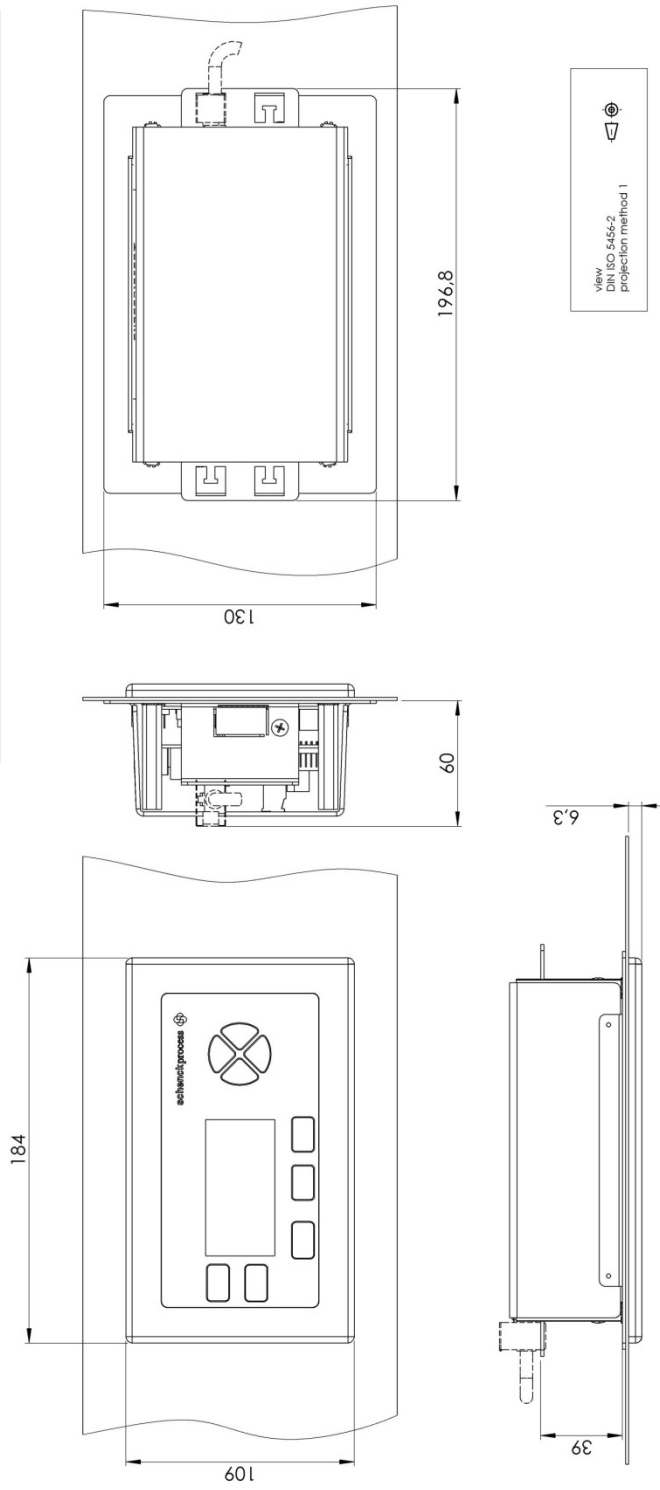
Function

The DISOMAT Parvus is used to indicate and display weight values. Weighing functions such as setting and clearing tares or zeroing can directly be carried out using the keypad.

Other available functions are:

- Two threshold value contacts (relays), e.g. for hopper fill-level monitoring
- Two binary inputs for device control as an alternative to the keypad
- Analog output for outputting weight values
- Serial interfaces for controlling a second display. The cyclical output also can be used for serial transmission of weight values e.g. to a PLC.

Panel Mounted Unit VEG 21100



Technical Data

Display	Graphics-capable backlit LCD, 64 mm x 32 mm, 128 x 64 pixels
Keypad	Flexible membrane keypad, 9 keys
Supply voltage	85 ... 250 VAC 50 ... 60 Hz max. 5 VA
Temperature range	Service temperature: -20 °C ... +50 °C Storage temperature: -40 °C ... +80 °C
Measuring channels	1
Load cell supply	5 VAC
Input signal	0 ... 15 mV
Sensitivity	0.8 μ V/d
Unit	kg, g, t, lb, N, kN, LT, TN
Increment value	1, 2, 5, etc. adjustable from 0.001 ... 1000
Taring	Up to 100 % of the weighing range
Zeroing system	Max. 20 % adjustable automatic zero point tracking 0.5 d/s, selectable automatic zeroing option
Linearity error	< 0.1 ‰ / 10 K
Zero point stability TK_0	< 0.8 μ V / 10 K corresponds to 0.06 ‰ / 10 K
Range stability, TK_c	< 0.06 ‰ / 10 K
Accuracy F_{comb}	< 0.15 ‰ / 10 K
Load cell impedance	Min. 47 Ω (corresponds to 8 x 350 Ω load cells or > 20 RT load cells of 4000 Ω each)
Time	Software, unbuffered, no date
Housing (VKG model)	1.4301, protection class IP65, for panel flush mounting dimensions (W x H x D) [mm]: 185 x 110 x 70 panel cutout [mm] 160 x 90
Binary Inputs	2 x Optocouplers, 18 ... 36 VDC, type 5 mA
Binary outputs	2 x relays, 230 VAC, max. 60 W
Analog output	1 x 0(4) ... 20 mA, 12 Bit, max. load 500 Ω
Serial interfaces	3 Interfaces: interface 1: RS232 interface 2: RS232 (reserved for DISOPLAN) interface 3: RS485-2-wire max. baud rate: 115 kbaud
Secondary display procedures	DTA, DDP8861, DDP8850

Order Numbers

	Material Number
DISOMAT Parvus panel mounted unit VEG 21100, Stainless steel face, power supply 85 ... 250 VAC	V090000.B01