

Platform Scales DVC/DVM



- **Flat construction**
- **Rugged and maintenance-free**
- **High-quality design**
- **Wide range of accessories**
- **Legal-for-trade as commercial scale, Class III**
- **Hazardous area variants (option)**

Application

Thanks to their flat, rugged and maintenance-friendly design, the DVM platform scales are perfectly suitable for use in virtually any industry.

The DVC line has more complex engineering meaning it offers a wider spectrum of designs and accessories.

High-quality design (optionally electropolished, stainless steel up to grade 316L), easy cleaning (removable load plate) and a wide range of accessories qualify the scales for use in sophisticated applications, e. g. in the chemical and food industries.

Construction

- 10 sizes from 400 x 300 mm to 2000 x 1500 mm
- Removable load plate
- Material S235JRGZ powder-coated (median grey, RAL 7040) or stainless steel 304L up to size 800 x 600 mm load plate 304L on standard
- Option: load plate 316L (DVC) electropolished, surface roughness <3 µm
- Option: complete scale in 316L (DVC), electropolished, surface roughness <3 µm
- Floor-mounted variant with 4 adjustable feet
- Option: foundation frame for pit-mounted variant
- Legal-for-trade variant for 3000 d or multi-range 2 x 3000 d

- Hazardous area variants (DVC) for:
 - Gas-Ex Zone 1 (ATEX) in protection class Ex-i
 - Gas-Ex Zone 2 (ATEX)
 - Dust-Ex Zones 21 and 22 (ATEX)
- Wide range of accessories, e. g.
 - Tear-drop load plate
 - Ball-shaped load plate
 - Roller train
 - Drive-on ramps
 - Mounting supports
 - Bottom fixation

Further special variants are available and will be offered to you upon request.

We will be pleased to suggest a complete scale configured to your requirements, e.g. DVC/DVM platform scale complete with DISOMAT weighing electronics, printer, displays and other accessories.

Available combinations of scale size and rated capacities

Size [mm]	Weighing range [kg]					
	60	150	300	600	1500	3000
400 x 300	X					
500 x 400	X	X				
650 x 500	X	X	X			
800 x 600	X	X	X			
1000 x 800				X	X	X
1000 x 1000				X	X	X
1250 x 1000				X	X	X
1500 x 1250				X	X	X
1500 x 1500				X	X	X
2000 x 1500				X	X	X

View of scales up to size 500 x 400 mm
(with S235JRGZ variant up to 650 x 500 mm)

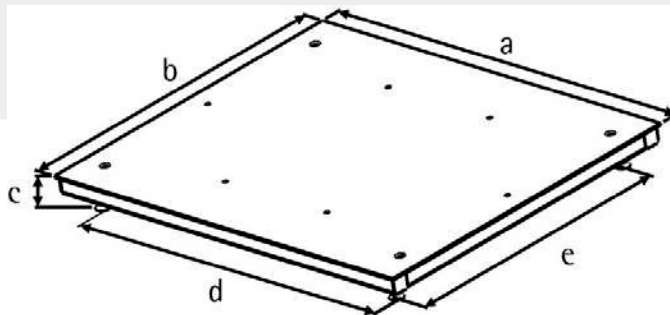


View of scales up to size 650 x 500 mm
(with S235JRGZ variant up to 800 x 600 mm)



Load plate of 304L on standard.

Dimensions and load limits



Support
feet diameter: 80 mm
Adjusting range: 5 mm

Size [mm] (a x b)	Height DVC [mm] (c)	Height DVM [mm] (c)	Support spacing [mm] (d x e)	Cable length [m]	Dead weight [kg]	Strength		
						Mid [kg]	Side [kg]	Corner [kg]
400 x 300	94 (**:101)	96	344 x 244	1,5	11	130	85	45
500 x 400	96 (**:104)	110	443 x 343	1,5	18	300	200	100
650 x 500 *)	145	142	530 x 434	3	20	600	400	200
650 x 500 **)	90	140	550 x 400	3	20	450	300	150
800 x 600 *)	145	142	680 x 534	3	35	1200	800	400
800 x 600 **)	90	140	700 x 500	3	35	900	600	300
1000 x 800	90	100	804 x 604	6	140	4500	3000	1500
1000 x 1000	90	100	804 x 804	6	160	4500	3000	1500
1250 x 1000	90	100	1054 x 804	6	185	4500	3000	1500
1500 x 1250	90	100	1304 x 1054	6	270	4500	3000	1500
1500 x 1500	90	100	1304 x 1304	6	305	4500	3000	1500
2000 x 1500	100	100	1804 x 1304	6	425	4500	3000	1500

*) S235JRGZ

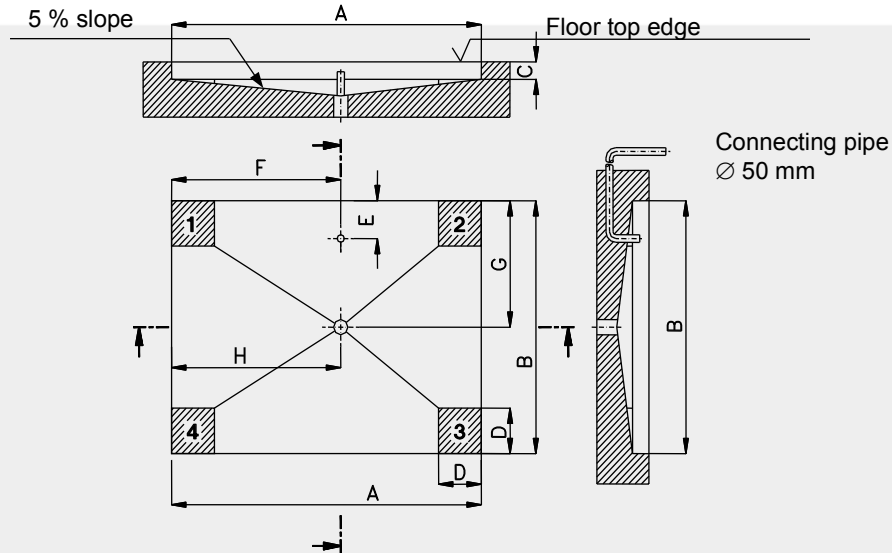
***) Stainless steel

Foundation Frame

For mounting the DVC/DVM scales in a pit, appropriate foundation frames are available. These frames have the job of perfectly bordering the edge of the foundation pit. The frames for the DVC line also provide centering and metallic mounting surfaces for the adjustment bases of this platform scale.

That reduces the demands made of evenness and strength of the pit floor. All you have to do is install the foundation frame in the prepared pit and fill the residual gap with concrete. For further details, please see the installation instructions given in Service Manual BV-H2224.

Dimensions of user's pit



Note: Dimensions [mm] H, G (dewatering) and E, F (cable inlet) are useful suggestions and can be varied in case of need.

Platform size	Foundation frame inner dimensions	Pit inner dimensions (A x B)	Pit depth (C)	Mounting surface (D)	Correction sheets	E	F	G	H
800 x 600 *)	814 x 614	970 x 770	160	220	150 x 150	200	485	560	485
800 x 600 **)	814 x 614	950 x 750	105	250	200 x 200	175	475	570	475
1000 x 1000	1014 x 1014	1150 x 1150	105	300	250 x 250	250	800	575	575
1250 x 1000	1264 x 1014	1400 x 1150	105	300	250 x 250	250	800	575	575
1500 x 1250	1514 x 1264	1650 x 1400	105	300	250 x 250	450	1100	700	700
1500 x 1500	1514 x 1514	1650 x 1650	105	300	250 x 250	480	1200	825	825
2000 x 1500	2014 x 1514	2170 x 1670	115	300	300 x 300	250	1185	835	1185

*) S235JRGZ

***) Stainless steel

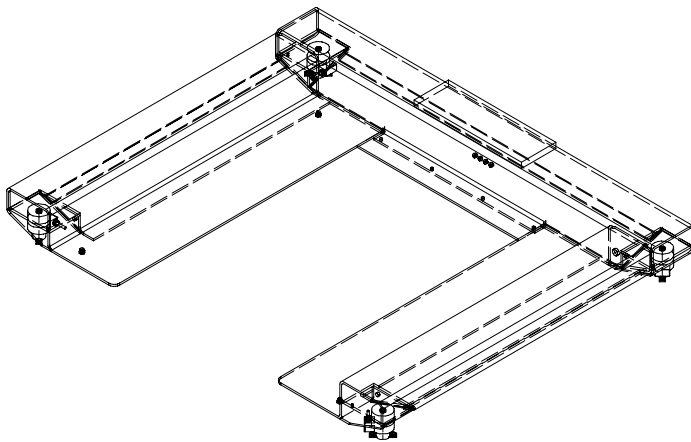
Available preference sizes (Reduced range of products supplied with DVM models)

Size [mm]	Material	Rated Capacity [kg]	Quality	Ordering no.
Platform scales				
800 x 600	S235JRGZ	300	C3	V020526.B01
1000 x 1000	S235JRGZ	600	C3	V020526.B02
1250 x 1000	S235JRGZ	600	C3	V020526.B03
1000 x 1000	S235JRGZ	1500	C3	V020526.B04
1250 x 1000	S235JRGZ	1500	C3	V020526.B05
1500 x 1250	S235JRGZ	1500	C3	V020526.B06
1500 x 1500	S235JRGZ	1500	C3	V020526.B07
2000 x 1500	S235JRGZ	1500	C3	V020526.B08
1000 x 1000	S235JRGZ	3000	C3	V020526.B09
1250 x 1000	S235JRGZ	3000	C3	V020526.B10
1500 x 1250	S235JRGZ	3000	C3	V020526.B11
1500 x 1500	S235JRGZ	3000	C3	V020526.B12
2000 x 1500	S235JRGZ	3000	C3	V020526.B13

Size [mm]	Material	Rated Capacity [kg]	Quality	Ordering no.
Platform scales				
800 x 600	304L	300	C3	V020538.B01
1000 x 1000	304L	600	C3	V020538.B02
1250 x 1000	304L	600	C3	V020538.B03
1000 x 1000	304L	1500	C3	V020538.B04
1250 x 1000	304L	1500	C3	V020538.B05
1500 x 1250	304L	1500	C3	V020538.B06
1500 x 1500	304L	1500	C3	V020538.B07
2000 x 1500	304L	1500	C3	V020538.B08
1000 x 1000	304L	3000	C3	V020538.B09
1250 x 1000	304L	3000	C3	V020538.B10
1500 x 1250	304L	3000	C3	V020538.B11
1500 x 1500	304L	3000	C3	V020538.B12
2000 x 1500	304L	3000	C3	V020538.B13
Platform scales Ex-i Zone 1				
800 x 600	304L	300	C3	V020546.B01
1000 x 1000	304L	600	C3	V020546.B02
1250 x 1000	304L	600	C3	V020546.B03
1000 x 1000	304L	1500	C3	V020546.B04
1250 x 1000	304L	1500	C3	V020546.B05
1500 x 1250	304L	1500	C3	V020546.B06
1500 x 1500	304L	1500	C3	V020546.B07
2000 x 1500	304L	1500	C3	V020546.B08
1000 x 1000	304L	3000	C3	V020546.B09
1250 x 1000	304L	3000	C3	V020546.B10
1500 x 1250	304L	3000	C3	V020546.B11
1500 x 1500	304L	3000	C3	V020546.B12
2000 x 1500	304L	3000	C3	V020546.B13
Foundation frame				
800 x 600	S235JRGZ			V020567.B01
1000 x 1000	S235JRGZ			V020567.B02
1250 x 1000	S235JRGZ			V020567.B03
1500 x 1250	S235JRGZ			V020567.B04
1500 x 1500	S235JRGZ			V020567.B05
2000 x 1500	S235JRGZ			V020567.B06
Foundation frame				
800 x 600	304L			V020575.B01
1000 x 1000	304L			V020575.B02
1250 x 1000	304L			V020575.B03
1500 x 1250	304L			V020575.B04
1500 x 1500	304L			V020575.B05
2000 x 1500	304L			V020575.B06
Small scales				
400 x 500	304L	60	C3	V020576.B01
400 x 500	304L-Exi	60	C3	V020577.B01

Further sizes and accessories available upon request.

DPW Pallet Scales



- **Low access height for Hand-Pallet-Truck**
- **Robust and Maintenance-Free**
- **High Quality Manufacture**
- **Available in AISI 316Ti Stainless steel**
- **Extensive Range of Accessories**
- **Legal-for-Trade as a Class III Trade Scales**
- **Also Available as an ATEX Design**

Applications

The robust and maintenance-free design of DPW Pallet Scales makes them suitable for applications in almost all areas of industry.

Paired with the appropriate scales electronics from the DISOMAT family they can also be used as a self-acting scales for automatic gravimetric filling of big bags.

The high-quality design of the scales, the easy access for cleaning and the extensive range of accessories also allow them to be used in exacting applications such as the chemicals industry and for the manufacture of foodstuffs.

Design

- **2 Sizes:** 1080 mm x 1250 mm and 1350 mm x 1250 mm
- **Material:**
 - Powder-coated steel 37 (as per DIN 4753, RAL 7040 medium grey),
 - Stainless steel 1.4301 (AISI 304),
 - Stainless steel 1.4571 (AISI 316Ti).
- **Legal-for-Trade design** for 3000d or multi-range 2 x 3000d
- **Optional explosion hazard design** for explosion hazard zone combinations
 - ATEX Zone 1 and 21
 - ATEX Zone 2 and 22

- The DPW Pallet Scales use the robust, tried-and-tested RTN load cells.

Big bag filling stations can be simply constructed on top of the pallet scales.

We are happy to offer further special designs that meet your particular demands.

And of course we can create a complete scales system for you consisting of a DPW Pallet Scales, DISOMAT® control and evaluation electronics and further accessories such as a printer, display, etc...